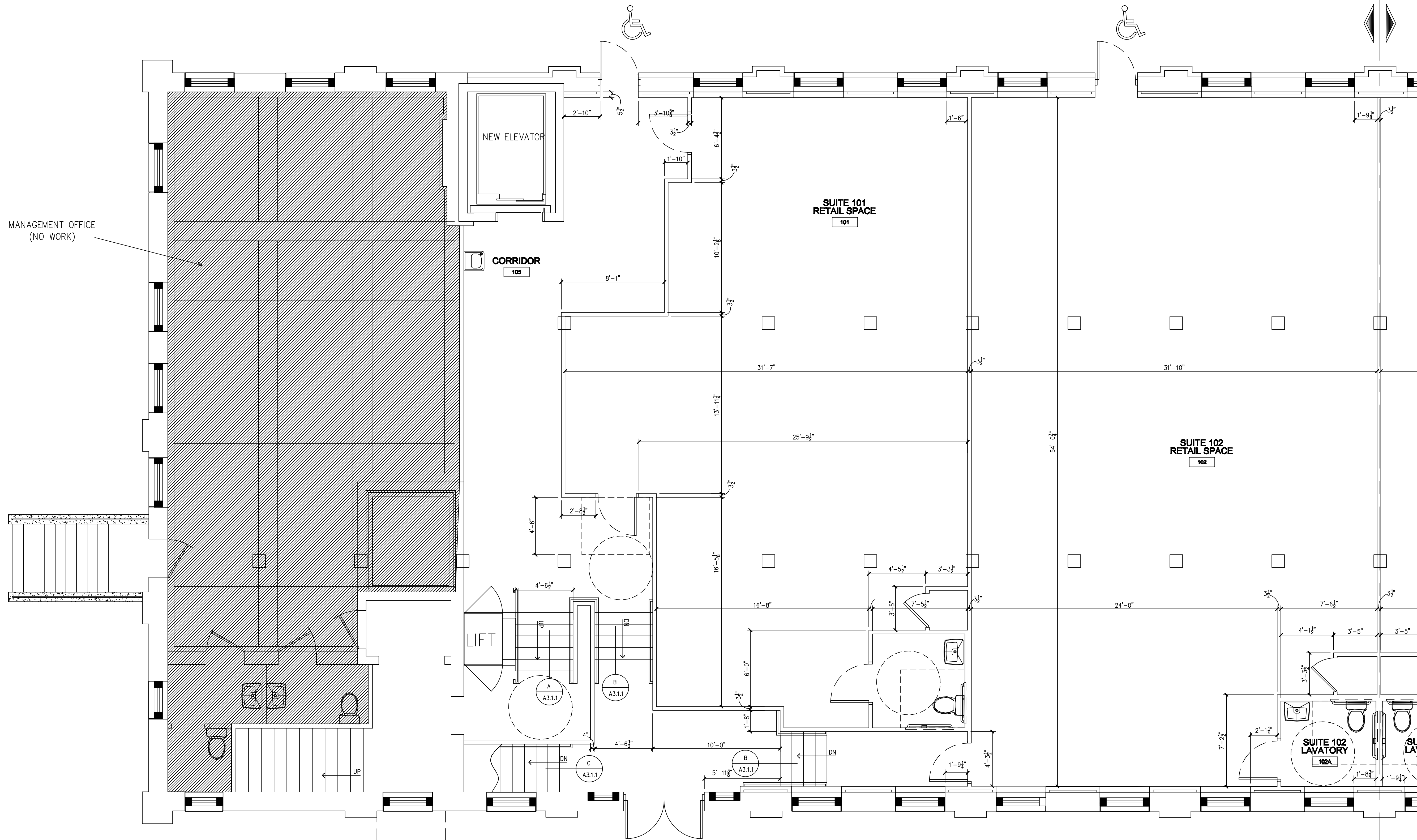
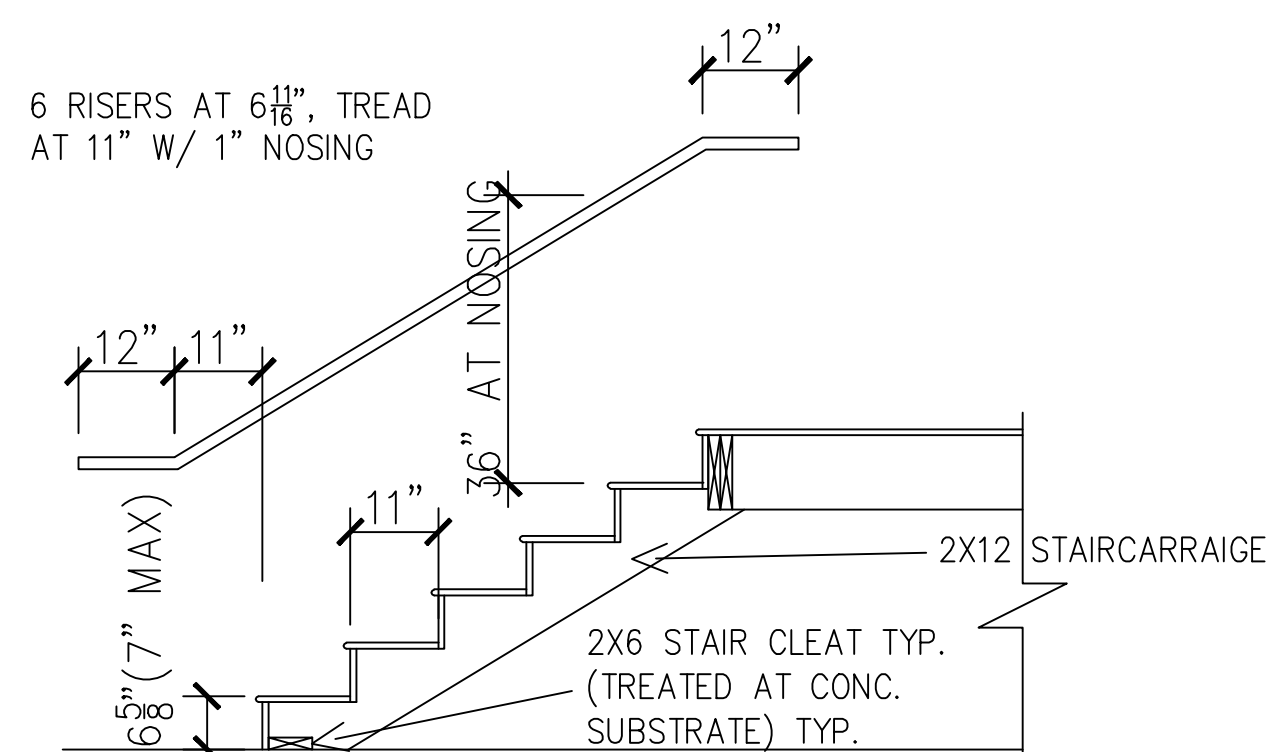


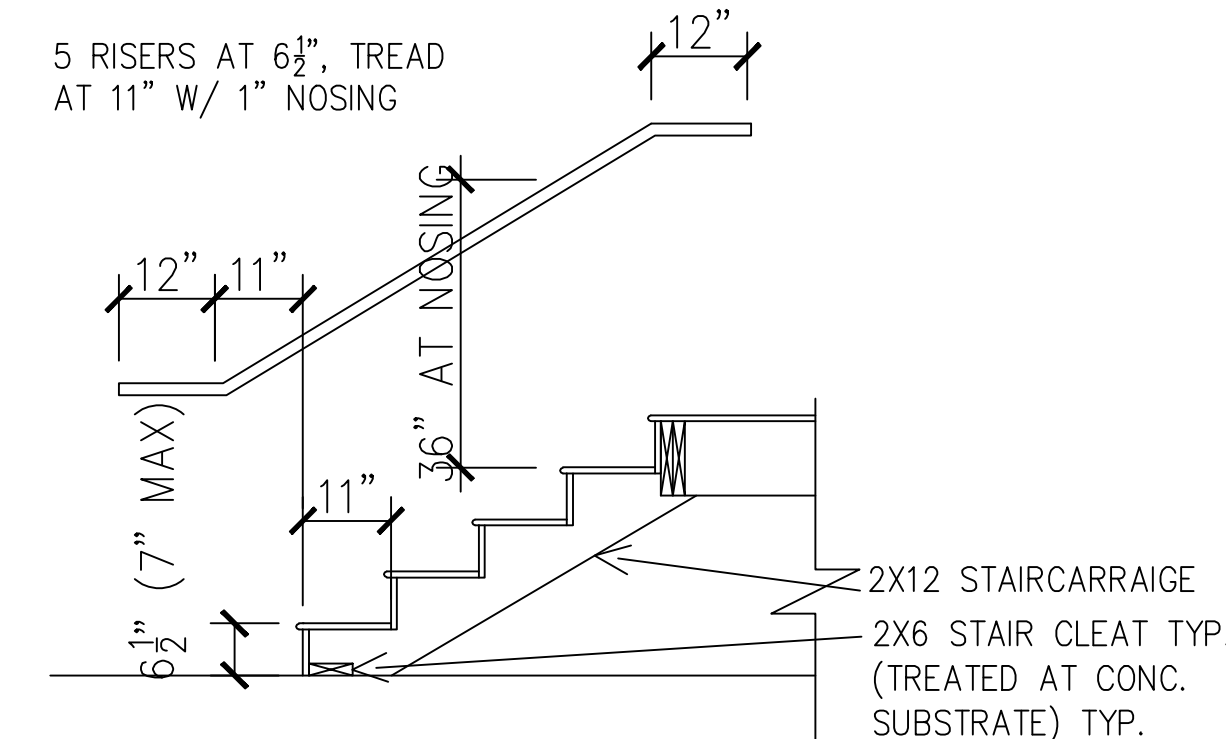
revisions		
no.	remarks	date



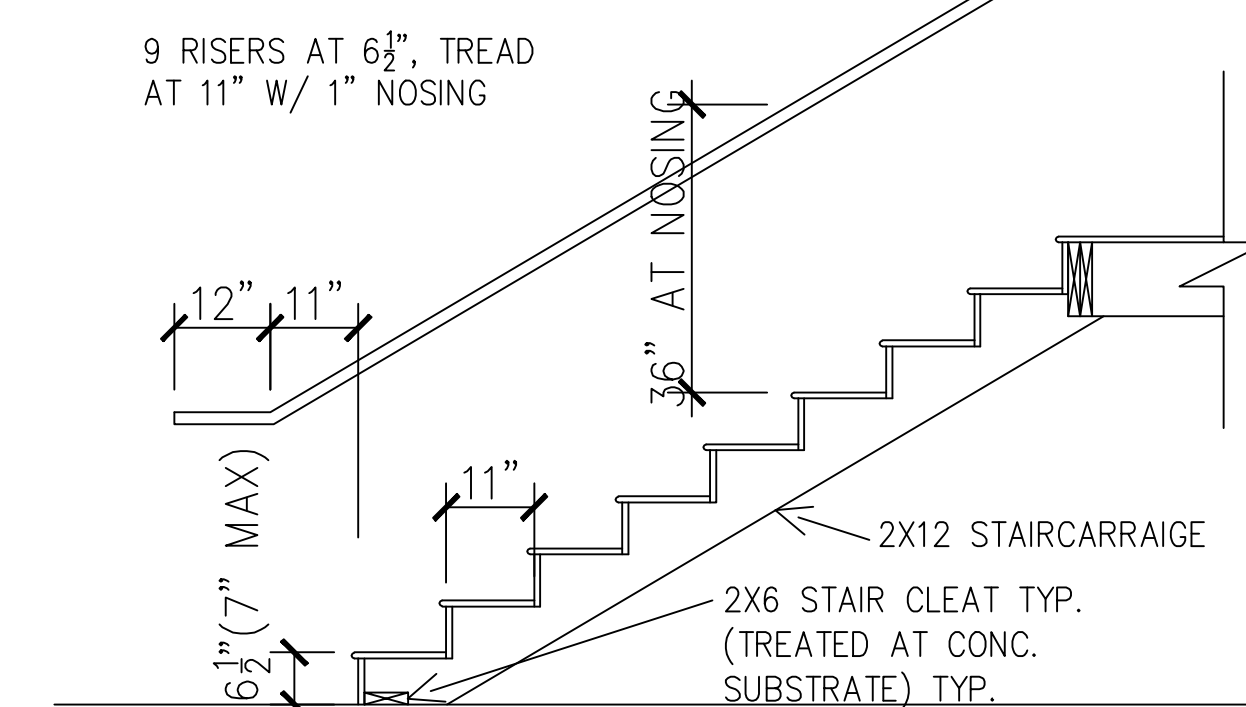
1 PARTIAL FIRST FLOOR PLAN
SCALE: 1/4" = 1'-0"



A STAIR SECTION
SCALE: 1/4" = 1'-0"



B STAIR SECTION
SCALE: 1/4" = 1'-0"



C STAIR SECTION
SCALE: 1/4" = 1'-0"